



# CREEK™

## LED Adjustable Wall Pack



Beyond LED's Cree wall pack is the newest, most innovative and feature rich product of 2022. It offers three adjustable wattages selection with energy-efficient LED technology. Cree comes with Built-in photocell. Cree luminaires comes with die cast aluminum housings and a polycarbonate lens to stand up for many years of punishing environmental conditions.

### Product Features

- Up to 135 Lm per watt
- Wattage Adjustable
- CCT Adjustable
- Input voltage 120-277VAC
- Bridgelux Chip SMD3030
- Easy to install and operate
- Energy saving, long lifespan
- Built-in Photcell
- 0-10V dimming
- Light is soft and uniform, safe to eyes
- Instant start, NO flickering, NO humming
- Die cast aluminum housing
- UL & DLC listed
- 5 Years warranty



SKU #	Model #	Wattage Adjustable	Lumens	CCT Adjustable	Housing	Input Voltage	Dimming	Certifications
155650	BLT-AWP01-100WJYH8DA1-BRPW30/40/50	60W/80W /100W	13500Lm	3K/4K/5K	Bronze	120V-277V	1-10V	UL & DLC

### SKU Number 155650 Specifications

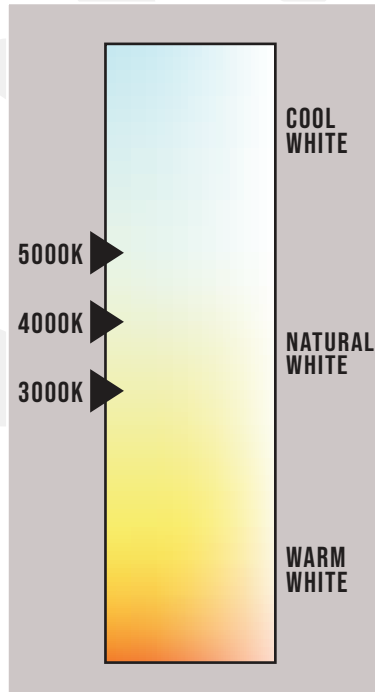
Parameter	Description	Value
General Performance	Model #	BLT-AWP01-100WJYH8DA1-BRPW30/40/50
	Wattage Adjustable	60W / 80W /100W
	Lumen	13500LM
	Lumen Efficacy	Up to 135LM/W
	Color Temperature	3000K / 4000K / 5000K
	CRI (Ra)	>70
	Beam Angle	90°*110° Degree
Electrical	Distribution Pattern	PC Lens
	Input Voltage	120-277Vac
	Frequency	50/60Hz
	Dimming	1-10V
	Power Factor	≥0.9
	Driver Surge Protection	L/N-PE: 6kV, L-N: 4kV
	Flicker Percent	<30%
Physical	Driver Brand	Beyond LED Technology
	Driver Model	BQE108-0820-120-PVF-PSA
	Operating Temperature	-40°C TO 50°C, Sensor :-25°C TO 50°C
	Operating Humidity	20% - 90% RH
	Storage Temperature	-40°C To 80°C
	Storage Humidity	10% - 95% RH
	LED Brand	Bridgelux
	LED Type	SMD 3030
	LED QTY	120*2PCS
Qualification	Housing	Die-cast aluminum
	Housing Color	Bronze
	IP Rating	IP65
	Warranty	5 Years



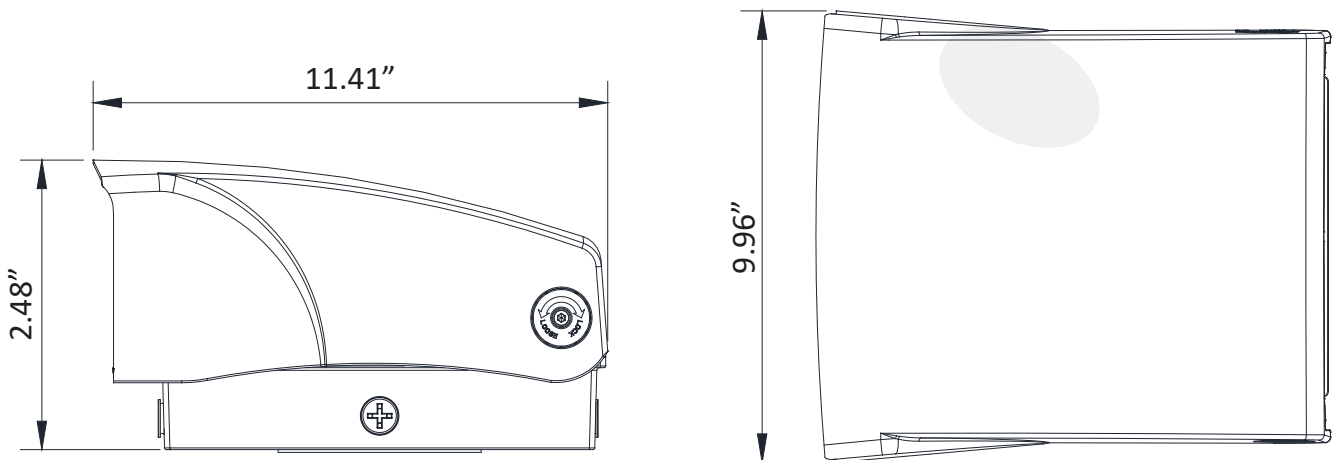
# CREEK™

## LED Adjustable Wall Pack

### Correlated Color Temperature (CCT)



### Dimensions



# CREEK™

## LED Adjustable Wall Pack



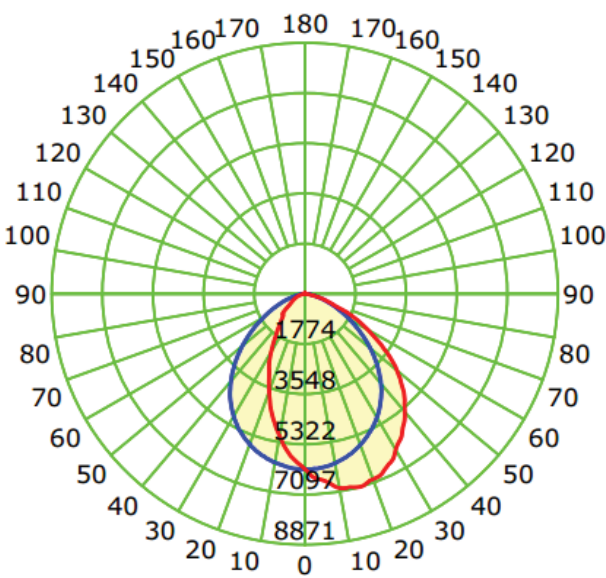
### Light Distribution Testing Parameters

#### Photometric Result

IES Classification: Type II  
 Total Rated Lamp Lumens: 13535.0 lm  
 Efficiency: 100%  
 C0r0 Intensity: 6199.93 cd  
 Pos of Max. Intensity: H90 V16

Longitudinal Classification: Very Short  
 Measurement Flux: 13535 lm  
 Luminaire Efficacy Rating (LER): 130.99  
 Max. Intensity: 7097.33 cd

Luminous Intensity Distribution Curve

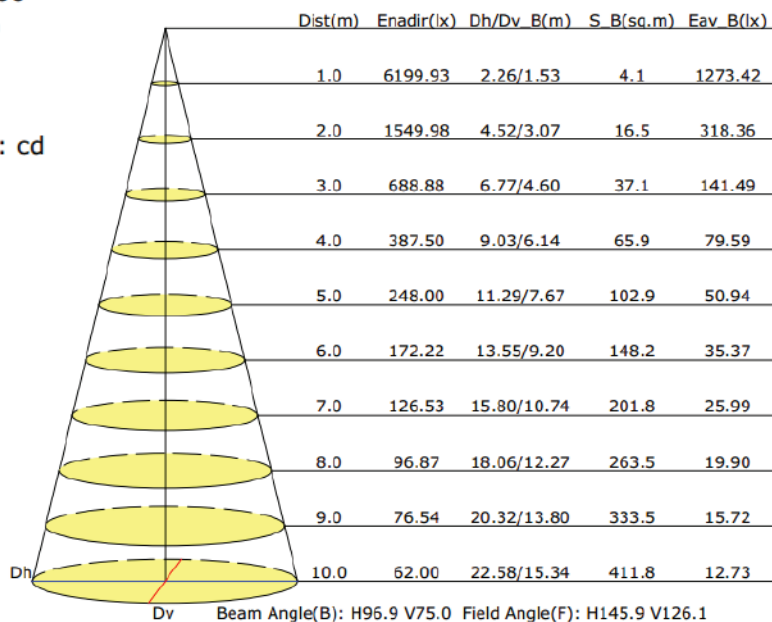


Unit: cd

Average Diffuse Angle(50%): 85.9°

— C0-C180 — C90-C270

Illuminance at a Distance





# CREEK™

## LED Adjustable Wall Pack

### Installation

#### Warning:

1. Do not use the electric generator to test the LED lamp.
2. This luminaire must be installed in accordance with your local electrical codes and requirements.
3. Do not install the luminaire in rainy days, to avoid lightning stroke and damage to luminaire.

#### Installation notice:

1. This luminaire must be installed by qualified electrician to avoid electric shock and fire accident.
2. Wear gloves before installation in order to avoid injury.
3. Turn off the power immediately when there is smoke and fire during installation, inform professionals to overhaul.
4. This luminaire is suitable for outdoor use.

#### Installation:

Step 1: Loosen the screws on the side of the radiator with an Allen wrench, and rotate the radiator to 90 degrees(Figure 1 & Figure 2).

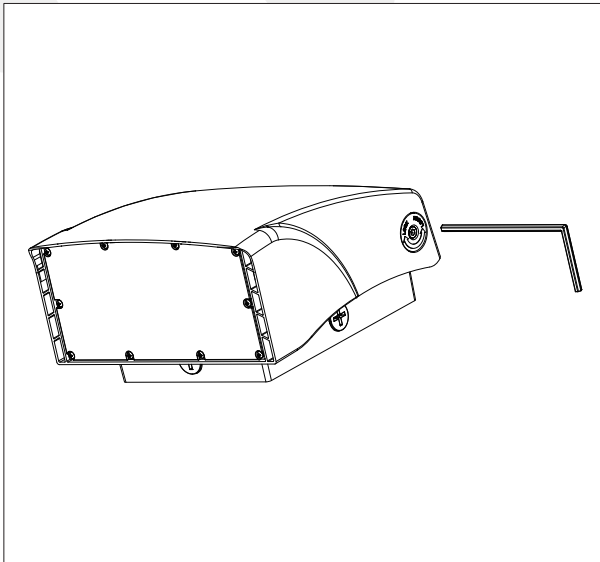


Figure 1

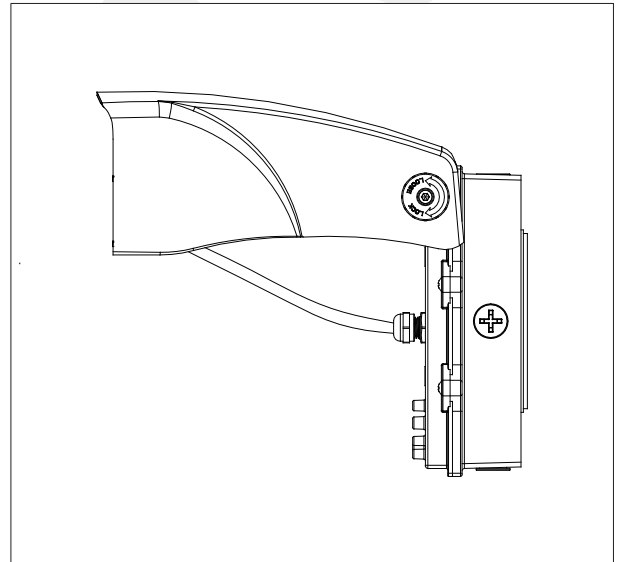


Figure 2

# CREEK™

## LED Adjustable Wall Pack



### Installation

Step 2: Use a screwdriver to remove the screws on the driver box cover and separate the driver box from the radiator (Figure 3 & Figure 4).

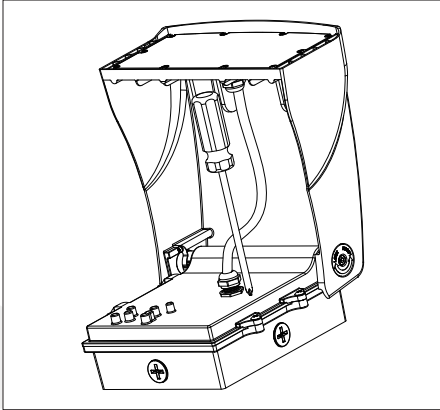


Figure 3

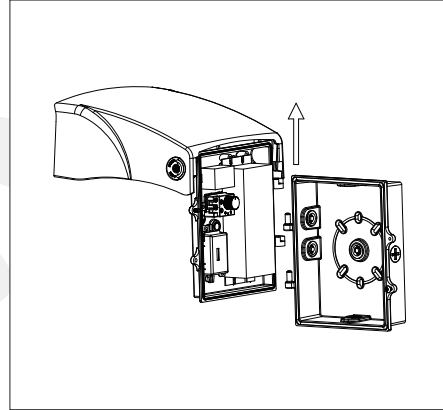


Figure 4

Step 3: Drill an installation holes at the bottom of light, paste the EVA mat (Figure 5 & Figure 6).

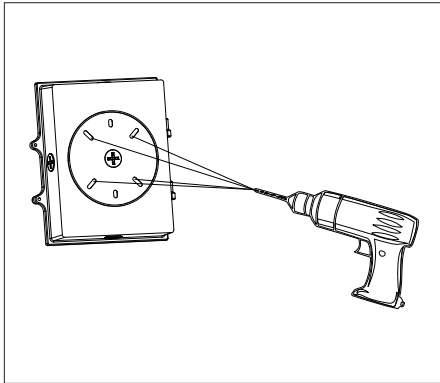


Figure 5

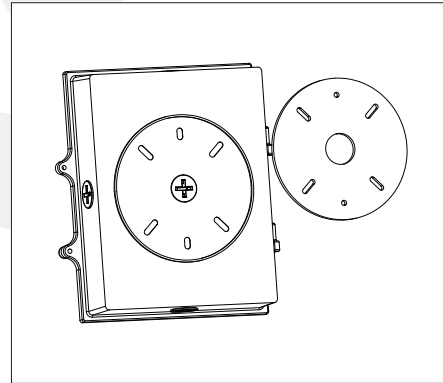


Figure 6

Step 4: Drill holes on the wall according to the locating plate (Figure 7).

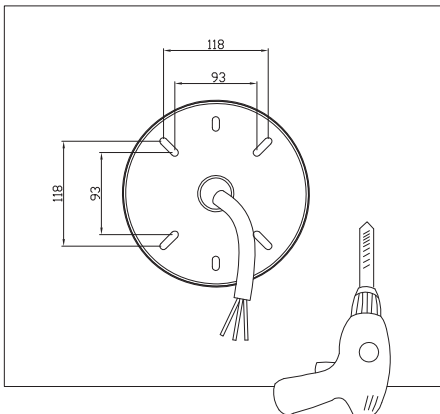


Figure 7

Step 5: Fix rubber plugs into holes (Figure 8).

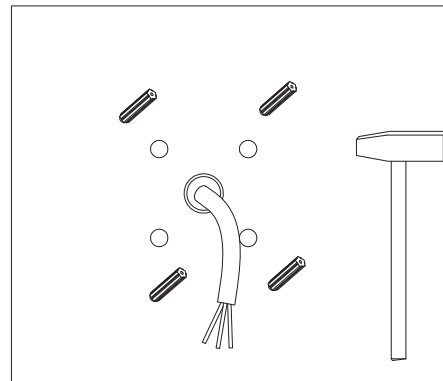


Figure 8



# CREEK™

## LED Adjustable Wall Pack

### Installation

Step 6: Align the holes on the lamp base with the holes on the wall, and tighten the screws(Figure 9).

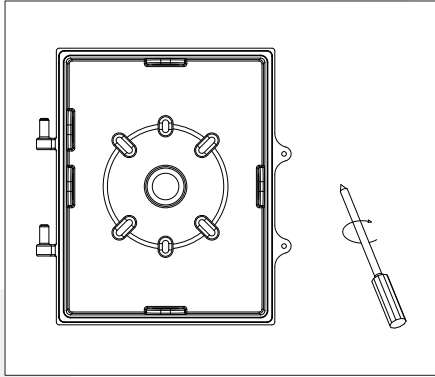


Figure 9

Step 7: Fasten the radiator to the driver box and connect the wires properly ((Figure 10 & Figure 11).

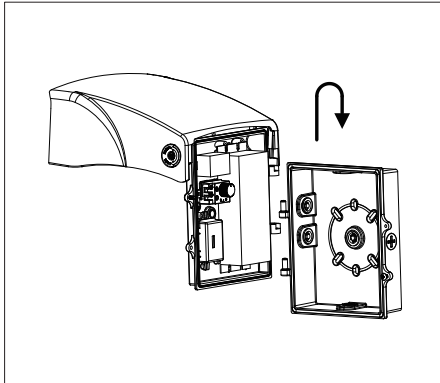


Figure 10

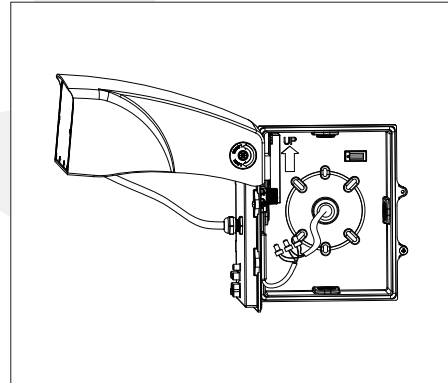


Figure 11

Step 8: Well organize the line and tighten the screws of the lamp base (Figure 12 & Figure 13).

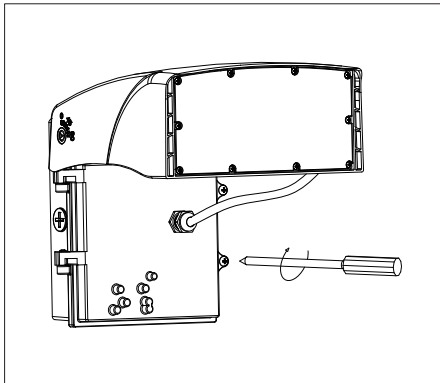


Figure 12

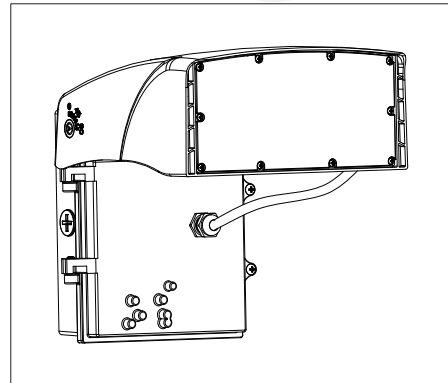


Figure 13

# CREEK™

## LED Adjustable Wall Pack



### Installation

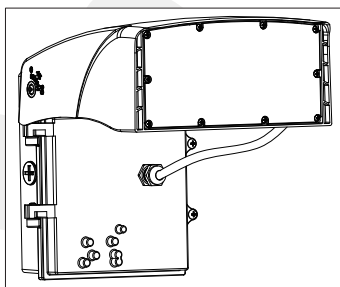
#### Standard wire:

L/live wire: Black\Brown

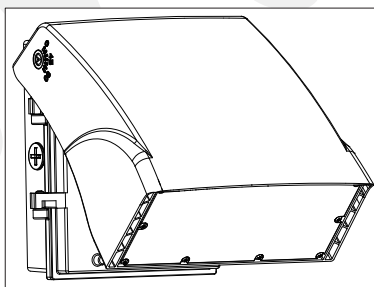
N/null wire: White\Blue

Ground wire: Green\Yellow-green

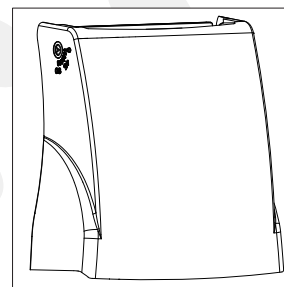
Note: To meet the requirements of DLC certification, lamps are limited to the same side of the light-emitting use, not in different directions of irradiation use (as shown below)



90°



45°

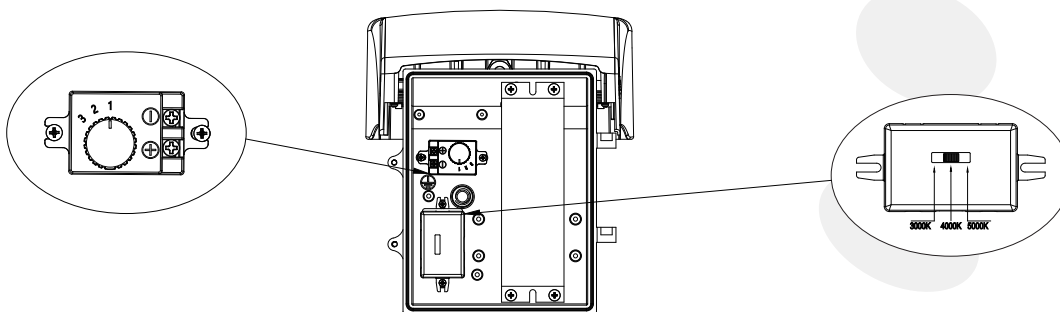


0°

#### Cct & Wattage Adjustment Instruction

1: After the fixture is fixed (Step 9), adjust the CCT via a controlling switch as per your demand, with 3000K/ 4000K/ 5000K optional, as shown in below picture.

2: After the fixture is fixed (Step 9), adjust the wattage via a controlling knob as per your demand, with 3 settings optional, as shown in below picture.



#### Warning/Advertisement:

MIN 90°C SUPPLY CONDUCTORS

THIS PRODUCT MUST BE INSTALLED IN ACCORDANCE WITH THE APPLICABLE INSTALLATION CODE BY A PERSON FAMILIAR WITH THE CONSTRUCTION AND OPERATION OF THE PRODUCT AND THE HAZARDS INVOLVED

LES FILS D'ALIMENTATION 90 °C MIN

CE PRODUIT DOIT ÊTRE INSTALLÉ SELON LE CODE D'INSTALLATION PERTINENT, PAR UNE PERSONNE QUI CONNAÎT BIEN LE PRODUIT ET SON FONCTIONNEMENT AINSI QUE LES RISQUES INHÉRENTS.





# CREEK™

## LED Adjustable Wall Pack

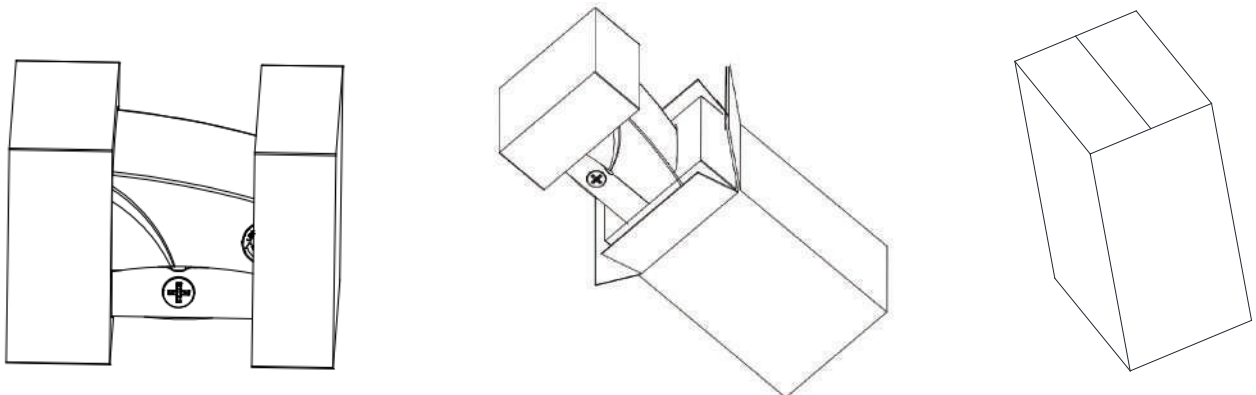
### Trouble Shootings

- Please turn off power before install or change assembly parts.
- The input voltage and lamps should be matched, after connecting the power line, Please make sure the wiring section is insulated.
- No-professionals, must not install and disassemble the lamps.

Troubles	Check points
Flickering of the light	Turn off the power and turn on again in 3 minutes. If same phenomena occur, then call agencies.
Out of working	Please check the connection

### Packaging

	Carton Size	Qty / Carton	Net Weight / Carton	Gross Weight / Carton
Outer Box	12.67 x 12.40 x 8.85	1 Pc	6.17 LBS	7.71 LBS



# CREEK™

## LED Adjustable Wall Pack



### Application Image



### Warranty

5 Years warranty

LED WALL PACK